

Tunable Version (Custom-made 1800K-4000K)

V-Cove II

Sleek and slender. At just 9mm height and 15.6mm width, V-Cove II versatile slim linear fixture enables installation in narrow spaces. Fixture length of this series is also customizable, perfect for vanity mirror and other indirect lighting.

V-Cove II comes in P23 (pitch = 23mm) and P46 (pitch = 46mm) allowing the ideal illumination for various application.



V-Cove II P23

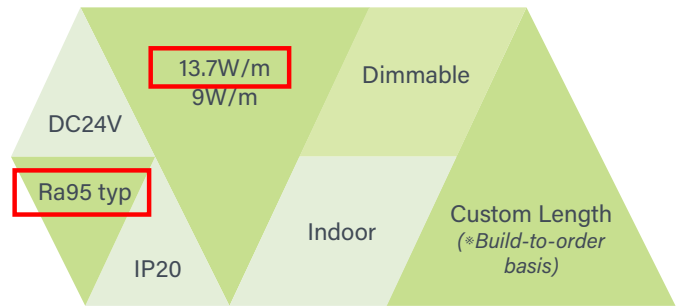


V-Cove II P46

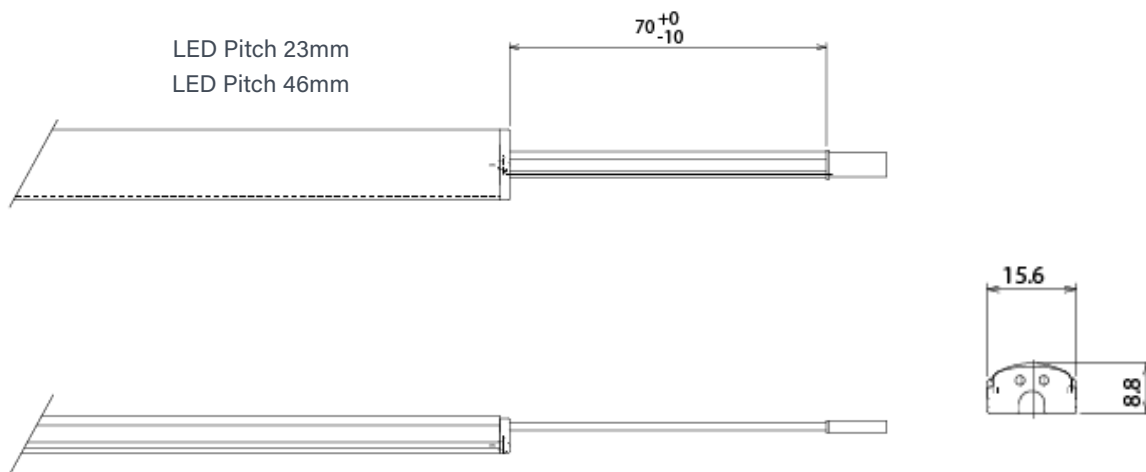
FEATURES

- For general cove lighting and niche indirect lighting,
- Available in CCT 2000K, 2500K, 2700K, 3000K, 3500K, 4000K, 6500K and RGB. **Tunable spec 1800K-4000K**
- Excellent efficiency using NICHIA Japan LED with optimized circuit design and tight-controlled chip's Vf properties.
- Centre colour binning that falls on top of black body radiation line within the range of **MacAdam ellipse step3.**

BASIC SPECIFICATION

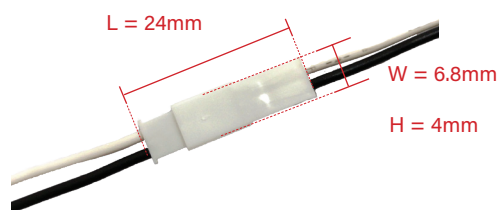


MECHANICAL DRAWING



Male-Female Connector

(Standard Spec comes with this connector)



White Cable = Positive (+)
Black Cable = Negative (-)



Connectors can be concealed (based on 30° metal clip)

MODEL NO

Model No

VCII XXXX – XXX B – PXX

Fixture Type

Fixture Length

Color Temperature

Type of LED used

LED Pitch

Tunable spec: VCII xxxx - 1840 B

Fixture Type

VCII → V-Cove II

Fixture Length

**Available Fixture Length for Tunable 1800K-4000K
L968mm / L646mm / L324mm / L218mm**

0974 → L974mm, **Standard**

0813 → L813mm, **Standard** (only for P23 = LED Pitch 23mm)

0652 → L652mm, **Standard** (only for P46 = LED Pitch 46mm)

0330 → L330mm, **Standard**

1135 → L1135mm (only for P23 = LED Pitch 23mm), Build-to-order

0491 → L491mm (only for P23 = LED Pitch 23mm), Build-to-order

0168 → L168mm (only for P23 = LED Pitch 23mm), Build-to-order

Color Temperature

653 → Daylight 6500K

1840: Tunable 1800K-4000K (Custom-spec)

403 → Cool White 4000K

353 → 3500K

303 → Light Warm White 3000K

273 → Standard Warm White 2700K

253 → Dark Warm White 2500K

203 → Amber-Like Warm White 2000K

Type of LED used

A → Type A, manufactured by NICHIA Japan (Ra85 typ. For CCT 2500K & 2000K)

B → Type B, manufactured by NICHIA Japan (Ra95 typ. Except for CCT 2500K & 2000K)

LED Pitch

23 → LED Pitch 23mm

46 → LED Pitch 46mm

Example

VCII

0974 – 303

B – P23

Fixture Type

V-Cove II

Fixture Length

L974mm, Standard

Color Temperature

Light Warm White 3000K

Type of LED used

Type B, manufactured by NICHIA Japan (Ra95 typ.)

LED Pitch

LED Pitch 23mm

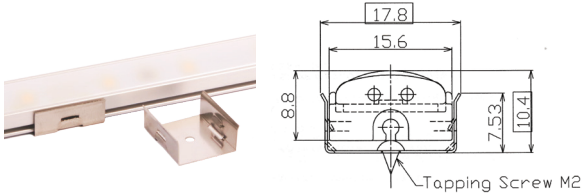
PRODUCT SPECIFICATIONS						
Product Name	V-Cove II Tunable 13.7W/m Tunable 1800-4000K custom			V-Cove II P46 9.0W/m (LED 46mm Pitch)		
Model No.	VCII0330-1840B (L324mm)	VCII0646-1840B (L646mm)	VCII0974-1840B (L968mm)	VCII0330-xxxB-P46 (L330mm)	VCII0652-xxxB-P46 (L652mm)	VCII0974-xxxB-P46 (L974mm)
Input Voltage	24Vdc	24Vdc	24Vdc	24Vdc	24Vdc	24Vdc
Power Consumption	4.6 W	11.4 W	13.7 W	3.0 W	6.0 W	9.0 W
Dimension (mm)	330*15.6*8.8(H)	813*15.6*8.8(H)	974*15.6*8.8(H)	330*15.6*8.8(H)	652*15.6*8.8(H)	974*15.6*8.8(H)
Weight	65 grams	135 grams	186 grams	65 grams	129 grams	186 grams
Casing Body	Aluminium Heatsink with UV-resistant Polycarbonate Semi-Frosted Diffuser					
LED Beam Angle	105°	105°	105°	105°	105°	105°
Operating Temperature	-10°C~45°C	-10°C~45°C	-10°C~45°C	-10°C~45°C	-10°C~45°C	-10°C~45°C
Max. Length of Series Connection	5 meter	5 meter	5 meter	7 meter	7 meter	7 meter
Option Parts	Mounting clip bracket 0° (flat) type / 30° fixed angle type					
No of LEDs	42	84	126	7	14	21
Power Supply Unit (Gear-Driver)	24Vdc Constant-Voltage Switching Power Supply (*TDK Lambda brand)					
Dimming Control	*With recommended 0-10V/DMX compatible dimming driver unit					
Lumens (typical @3000K)	310	620	931	229	458	687
Available LED Color						
Daylight 6500K <i>*Build-to-order</i>	●	●	●	●	●	●
Cool White 4000K	●	●	●	●	●	●
3500K <i>*Build-to-order</i>	●	●	●	●	●	●
Light Warm 3000K	●	●	●	●	●	●
Standard Warm 2700K	●	●	●	●	●	●
Dark Warm 2500K	●	●	●	●	●	●
Amber-Like Warm 2000K	●	●	●	●	●	●
RGB Full Color <i>*Build-to-order</i>	NA	NA	NA	NA	NA	NA

* For installation/wiring, refer to page 41.

OPTIONAL ACCESSORIES

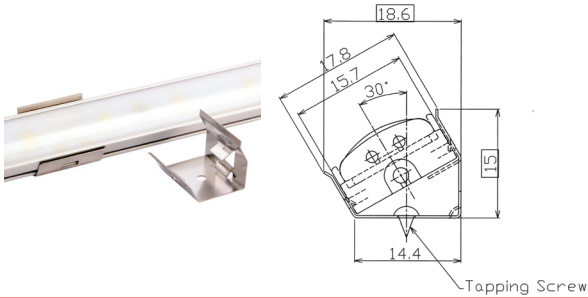
1 Metal Mounting Clip Bracket 0° Flat Type

Model: MMC-0DEG

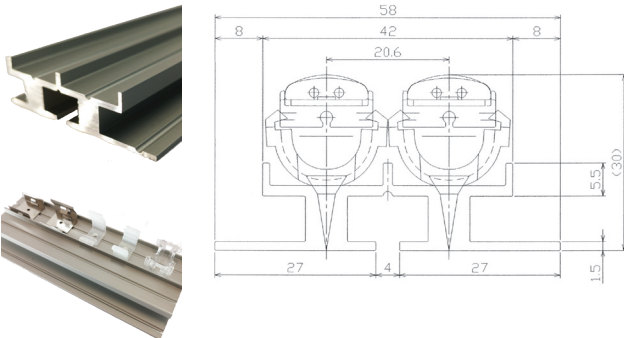


2 Metal Mounting Clip Bracket 30° Type

Model: MMC-30DEG



3 Aluminum Guide Rail



PHOTOMETRICS

Brownie Ecotronics:

V-Cove II P23, 3000K, L974mm, 13.7W

Product Code: VCII0974-303B-P23

Luminous Flux (luminaire): 1367 lm

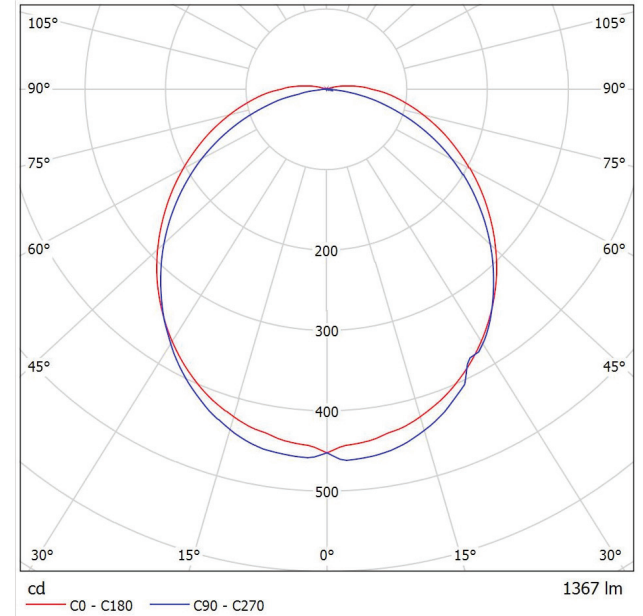
Luminous Flux (lamp): 1367 lm

Luminaire Wattage: 13.7W

Luminaire Classification according to CIE: 98

CIE Flux Code: 45 75 93 98 100

(Fitting: 1 x User defined (Correction Factor 1.000)).



Brownie Ecotronics:

V-Cove II P46, 3000K, L974mm, 7.2W

Product Code: VCII0974-303B-P46

Luminous flux (Luminaire): 687 lm

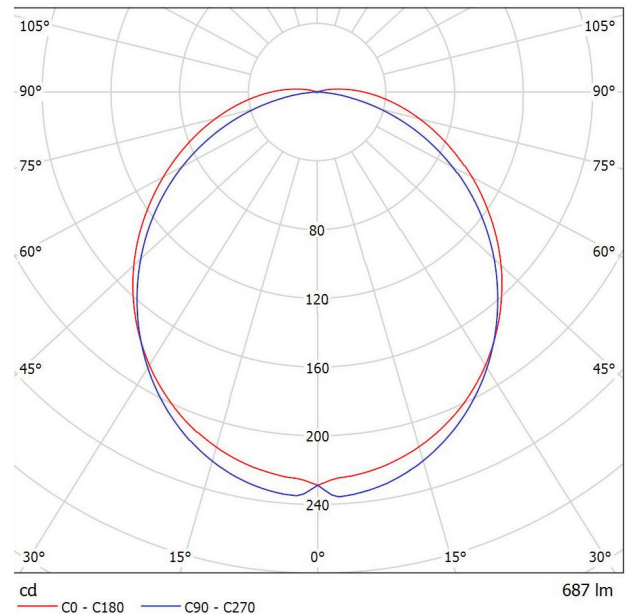
Luminous flux (Lamps): 687 lm

Luminaire Wattage: 7.2 W

Luminaire classification according to CIE: 98

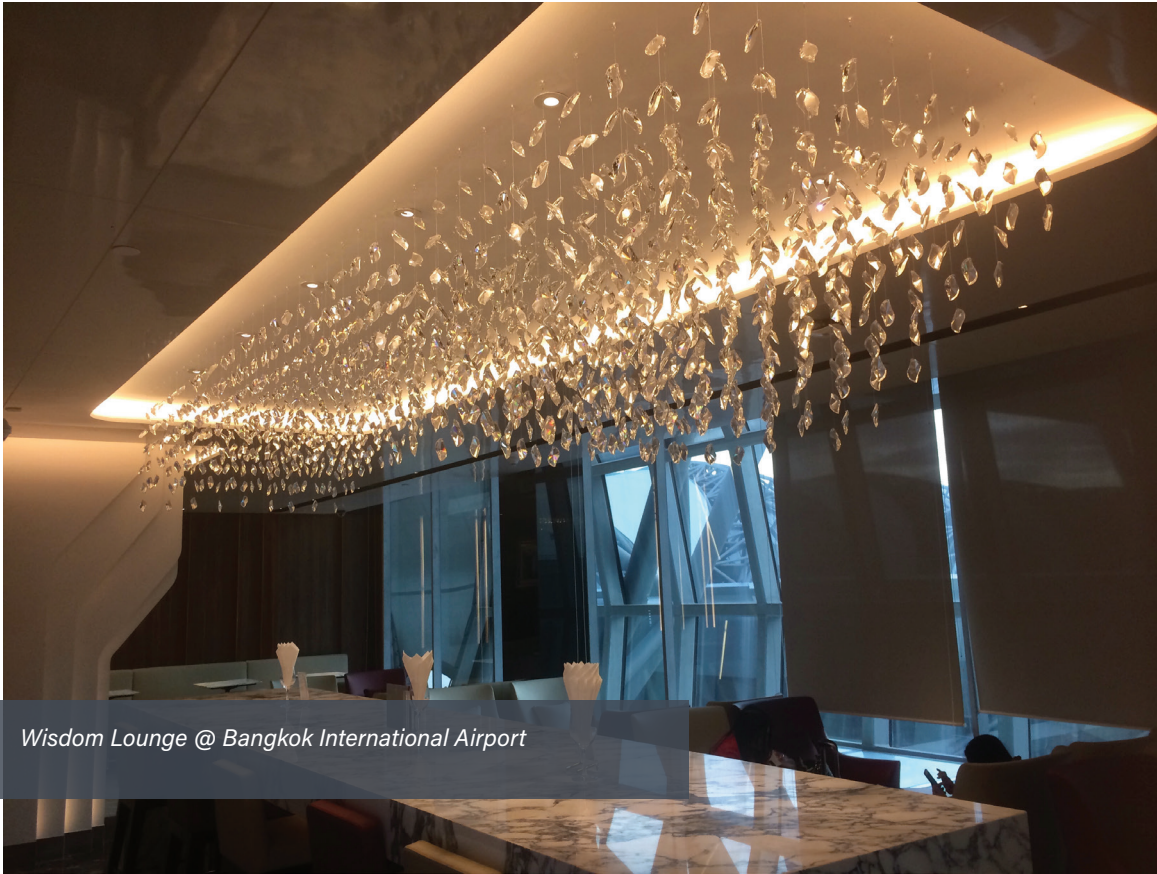
CIE flux code: 45 76 93 98 100

Fitting: 1 x User defined (Correction Factor 1.000).

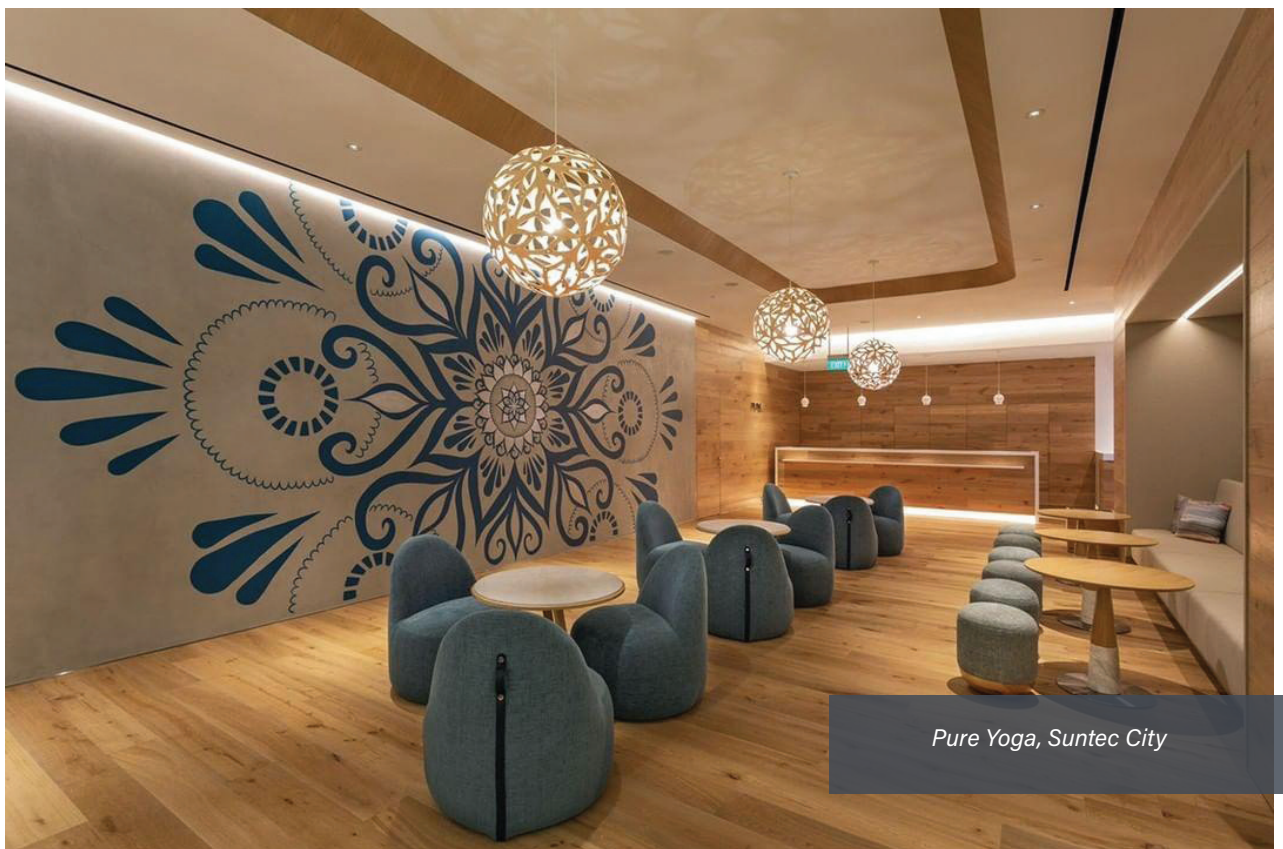


※For IES data, please contact our sales staff or distributor

PROJECT REFERENCE



Wisdom Lounge @ Bangkok International Airport



Pure Yoga, Suntec City